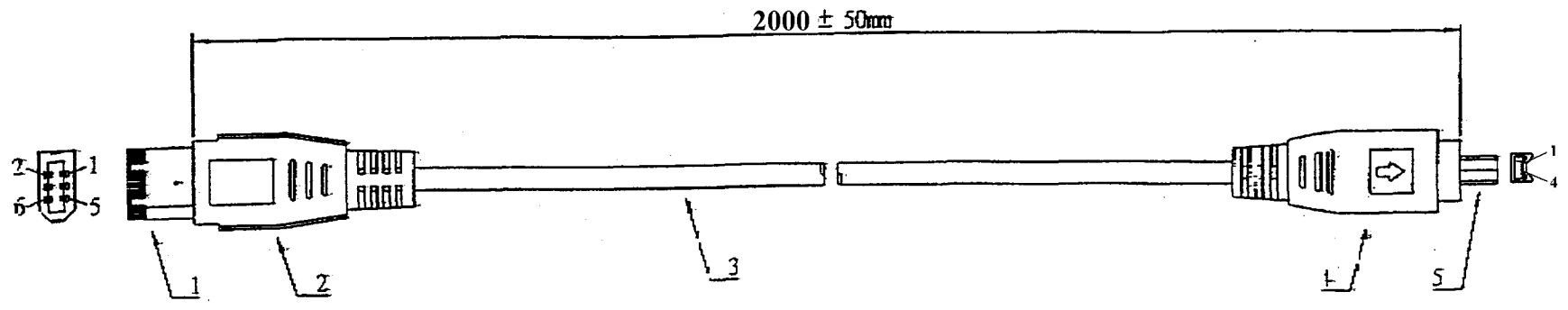


REV.	ZONE	LTR	DESCRIPTION	DATE	REVISER	APPD
------	------	-----	-------------	------	---------	------

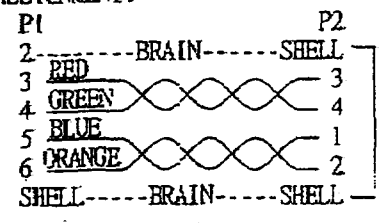
P1

P2



NOTES:  
 1. OPEN - SHORT - CONTINUE 100% TEST  
 2. CT: 100Ω IS: 5MΩ  
 3. 線材的內BRAIN接P1端的第2PIN, 外BRAIN接SHELL.

PIN ASSIGNMENT:



1	CP IEEE 1394 MALE CONNECTOR	1	LUCENT	
2	PVC MCLDING(CTN-P-002)	1	LUCENT	2K026
3	UL20275 (30#1P+AB)*2C+MAB Ø5.0 L=2000mm(CTN-P-002)	1	LUCENT	
4	PVC MCLDING(CTN-P-002)	1	LUCENT	2001002
5	CP IEEE 1394 MALE CONNECTOR	1	LUCENT	
6				
7				
8				
9				
ALL DIMENSIONS IN mm		DESCRIPTION	QTY	COLOR
				TOOL NO

<b>高位企業有限公司</b> Yes Way Enterprise Corp.		TOLERANCE UNSPECIFIED	
SCALE <b>FREE</b>		UNIT <b>mm</b>	
NAME P1394(I/O)6M-(AV)4M CABLE ASS'Y		SHEET 1 / 1	
DRAWING NO. B06D02-X200-K		REV 0	
		ANGLE ±	
		DRAWN Vivian 8/22/2002	
		DESIGNER Reo	
		CHECKED Jenny	
		APPROVED Tim	
		A3	